

PG 02 S/C Pješačka barijera



PG 02 S/C Specifikacije

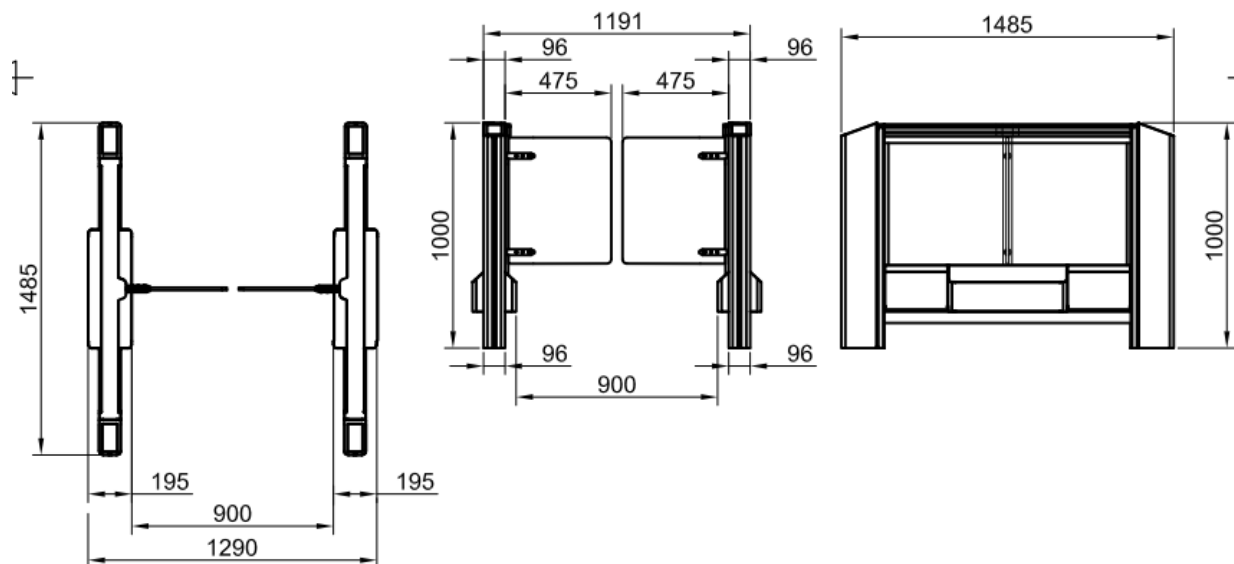
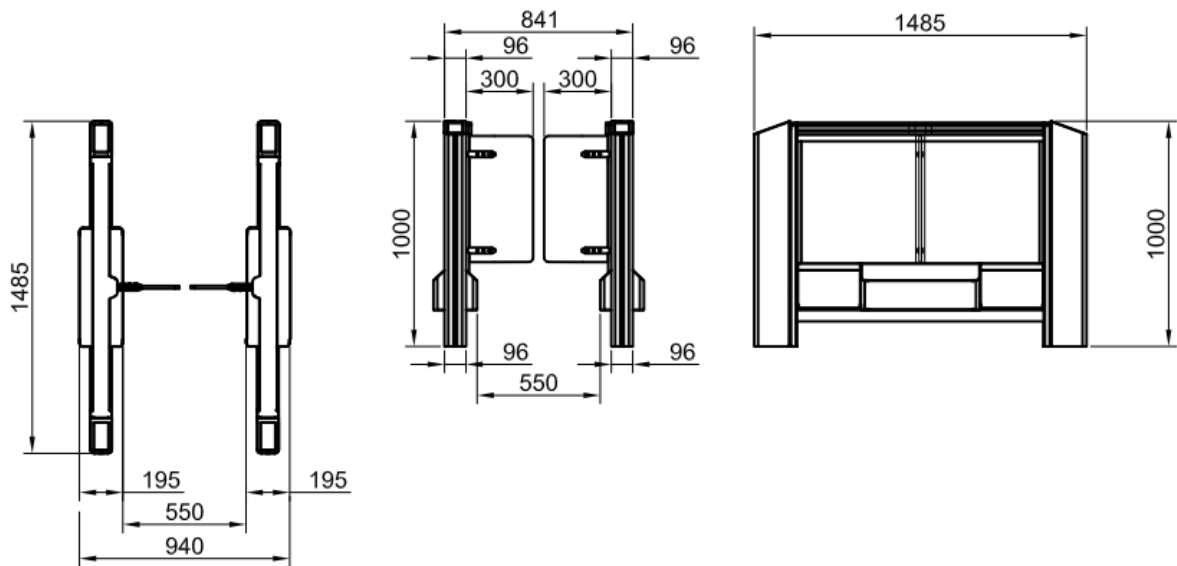
Power Requirements	110/220-240V. 60/50Hz. AC (%±10) 24V. DC At standby ~10W. During operation ~ 39W. (Single-sided) At standby ~20W. During operation ~ 78W. (Double-sided)
Wing movement	Electronically controlled wing movement for quick and smooth passages to the passage direction.
Wing Features	12mm thick tempered glass wings (Opt. acrylic wings). One passage lane consists of two single units. 900 and 1200 mm wing heights as a standard feature.
BodyFeatures	304-grade stainless steel on 3,00 mm thick electrostatic powder coated steel body (Opt. stainless steel) 10mm acrylic top lid, 6 mm acrylic side panels between vertical posts. (Opt.tempered glass) Adequate space is available inside both sides of the body for installation of various reader devices and wiring.
Operating Temperature, Humidity, IP Rating, MCBF	-20°C to +68°C RH 95% non-condensing / IP 44 Indoor Model/ 1M Cycles
Indicator & Display Features	Indicators are provided on both posts vertically and shows the direction of passage on top lid as a standard feature. Top lid indicators illuminated as blue at standby, as green when input received and as red in alarm status.
Control System	All inputs are opto-coupler protected .Controlled by dry contact or grounding input. Compatible with all access control systems that provide dry contact or grounding outputs. Optional RS232/RS485/TCP IP control module is available.
System Features & Operation	Industrial design with IR multisensory passage detection system, PWM DC motor, controlled by microprocessor. Wings open rapidly to allow passage when input is received by either direction. Internal dip switch selectable free passage by photocell detection, restricted access, controlled access on both or single direction modes are built in features. Wings close automatically, when the passage is completed. Passage lane is controlled by 8 pieces of sensors. Unauthorized attempts are detected by sensors and it signals audio-visually. At sequential passages, wings provide rapid passages by keeping the following passage authorisations in memory and wings stay open until the next authorised person's passage is completed. Thanks to adjustable electronic torque control, wings do not harm a person; in case of sticking; wings stop and reverse. Wings do not open when closed. Passages can be restricted by enable/disable feature even if the passage authorisation is granted. If the passage is not completed after authorisation, wings stay open 2-6-12 sec. (adjustable), then wings close or stay open infinitely to be controlled by remote control.
Output Data	The system provides dry contact passage feedback by relays.
Emergency Mode	In case of emergency, the system allows free passage by opening the wings and turning passage indicators green upon receiving emergency input from an alarm system. Wings can be manually opened in case of a power failure.
Wing Speed	Wing speed is electronically controlled by adjustable PWM motor drive system. 900mm Passage Width Glass Wing: -Wing Opening Speed= ~2,2 seconds by default, ~1,8 – 3,5 sec. adjustable. -Wing Closing Speed= ~2,2 seconds by default, ~1,8 – 3,5 sec. adjustable. 550mm Passage Width Glass Wing: -Wing Opening Speed= ~2,0 seconds by default, ~1,8 – 3,5 sec. adjustable. -Wing Closing Speed= ~2,0 seconds by default, ~1,8 – 3,5 sec. adjustable.

PG 02 S/C Tehnički nacrt

	<ul style="list-style-type: none">- The above given figures for 1200mm Height wing,- 90° movement from original position,- Utilisation of different access control units can change the flow rate.
Flow Rate	Capacity of Mechanism: ~1-120 passages/minute; Nominal: ~25-50 passages/minute (Recommended reference figure). Utilisation of different access control units can change the flow rate.
Standard Feature	Status indicators for both directions.
Optional Accessories and Applications	Sliding asteroid animated indicator on top lid, tempered glass side panels, remote control unit, interface unit for PC, RS485, RS232 and LAN, counter, audio-messaging system, base plate, coin slot/intelligent coin system and coin box, separator, card reader pole, different wing heights.

PG 02 S/C Tehnički nacrt

Single - sided



HG 01 C Tehnički nacrt

Central unit

